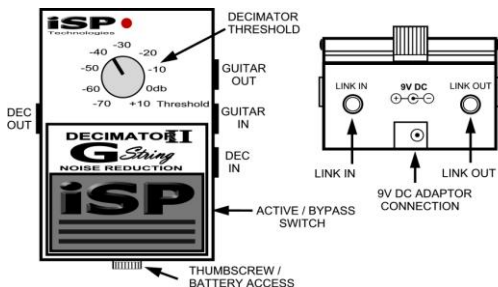




## DECIMATOR II G String NOISE REDUCTION



The Decimator II G String Noise Reduction pedal is the latest generation in noise reduction technology. The Decimator features improved Linear Time Vector Processing that offers the smoothest, ripple free approach in tracking the envelope of the input signal. The LTVP will instantly respond to short staccato notes and at the same time provide ripple free control of long sustained notes while downward expanding. The Decimator pedal is easy to use and simple to operate.



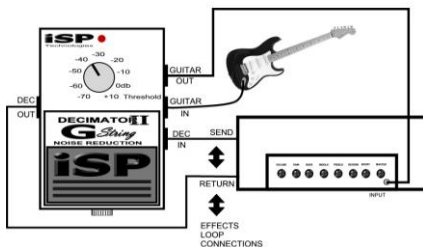
The threshold control on the Decimator II G String should be adjusted by listening to the noise floor while no instrument signal is present. The threshold control should be turned clockwise until the noise floor becomes inaudible. It may be necessary to readjust the threshold with the guitar volume all the way on in order to accommodate the additional noise the guitar may induce. Adjusting the threshold too far clockwise may cause the downward expander to attenuate the output level too quickly and not allow the signal to decay naturally.

### BATTERY / ADAPTER

To install the battery, loosen the thumbscrew shown above and raise the switch cover to allow access to the battery compartment. Insert a 9v battery to the connector and place the battery into its compartment and close by holding the switch cover down and tightening the thumbscrew.

To use the Decimator II with an external power adapter, select an adapter with at least 100 milliamps capability at 9 volts DC. Make sure the adapter is polarized "TIP NEGATIVE".

### CONNECTIONS



The Decimator II G String has 4 1/4 inch jacks. Connect the guitar directly to the Guitar IN. Connect the Guitar OUT to the input of the amplifier. Connect the DEC IN to the loop send and DEC OUT to the loop return. For best performance place all gain pedals in front of the amplifier and DEC IN. You can put Delay and Reverb effects pedals after the Decimator II G String and before the loop return to avoid cutting off reverb and delay tails.

### WARRANTY & SERVICE

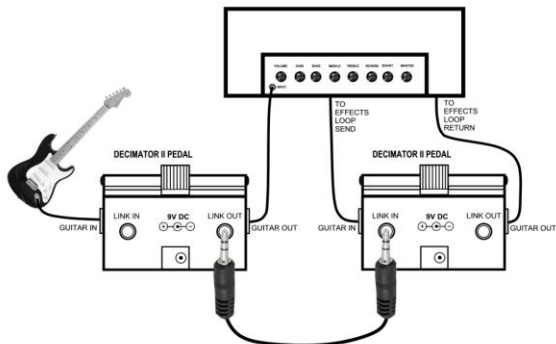
This unit parts and workmanship are fully guaranteed to be free of defects under normal use and service for a period of three years from date of purchase. Any damage resulting from misuse of the failure to follow the precautions and instructions will void the warranty. In the event that the unit needs to be repaired, please return the unit to ISP Technologies directly. Simply re-pack the unit, send a copy of your original receipt, a note stating the problem and send it to:

ISP Technologies  
5479 Perry Dr. Suite B  
Waterford, Mich. 48329  
ATTEN: Repair Dept.

All shipping charges must be prepaid. ISP will not be responsible for any damages incurred in shipping the unit. Any claim will need to be settled with the shipping company. The warranty will be voided if the serial number has been tampered with. Should you have any questions for the repair dept prior to returning the product please call 248-673-7790

[www.isptechnologies.com](http://www.isptechnologies.com)

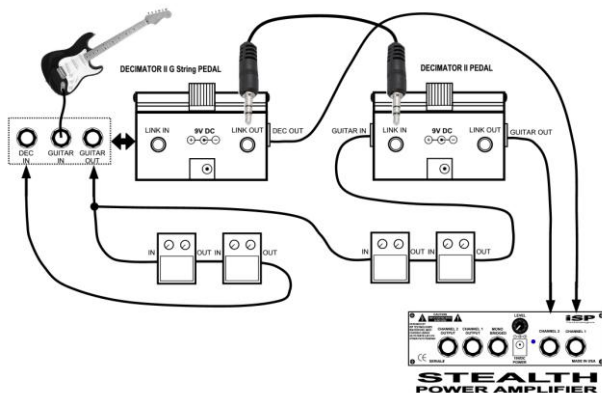
## HOW TO LINK TWO DECIMATOR II PEDALS FOR MONO APPLICATIONS



The diagram on the left shows how to *LINK* two Decimator II pedals allowing the second pedal to track the direct instrument input. This will allow the second pedals' internal level detector to track the guitar directly, providing tracking performance similar to the professional rack mount Decimator ProRack G. Connect an RTS 1/8 inch cable from the LINK OUT of the first pedal to the LINK IN of the second pedal.

The guitar is connected to the input of the first pedal and Guitar Out feeds the input of a guitar head or input of a pedal chain. The second Decimator II is connected in the effects loop of the Head with Send connected to Guitar IN and Return connected to Guitar OUT. Adjust the Threshold of the first pedal to remove the noise of the Guitar first and then adjust the second pedal Threshold to remove the HEAD gain noise.

## HOW TO LINK DECIMATOR II G-STRING PEDAL WITH DECIMATOR II FOR STEREO APPLICATIONS



This diagram shows just one example of how to connect a Decimator II G String pedal with a standard Decimator II pedal for true Stereo applications. A true stereo Decimator system can be realized by linking a Decimator II G String and a standard Decimator II. The above Diagram shows how to connect two pedal chains in Stereo. There are countless True Stereo Applications: this Diagram simply shows an illustration of how to connect the two Decimator II pedals for true stereo use.

The first Decimator pedal in the chain is a Decimator II G String and the G String is required to provide a separate Guitar IN and Guitar OUT to feed the front end of a Stereo system. The Guitar is connected directly to the Guitar IN of the Decimator II G String. The Guitar OUT requires a Y Cable to feed the input of both channels in Stereo. In this example the Guitar OUT is connected to a Stereo Pair of pedals. The outputs of the stereo pedal chains are connected to the Decimator IN on both the G-String II and standard Decimator II pedals. The Decimator OUT of both the G String II and Decimator II pedals are connected to the Stereo Input of an ISP Technologies STEALTH power amplifier. Connect an RTS 1/8 inch cable from the LINK OUT of the first Decimator II G-String pedal to the LINK IN of the second Decimator II pedal. Adjust the threshold control of both pedals for the proper noise reduction and no further adjustment should be required.